

# Technical data sheet

## Product features



### Cooking range induction drop-in electric 4x drop-in plate 400 V

<b>Model</b>	<b>SAP Code</b>	00007450
--------------	-----------------	----------



- Device type: Electric unit
- Power consumption of the zone 1 [kW]: 5
- Power consumption of the zone 2 [kW]: 5
- Power consumption of the zone 3 [kW]: 5
- Power consumption of the zone 4 [kW]: 5
- Protection of controls: IPX5
- Material: Stainless steel

<b>SAP Code</b>	00007450	<b>Number of zones</b>	4
<b>Net Width [mm]</b>	800	<b>Power consumption of the zone 1 [kW]</b>	5
<b>Net Depth [mm]</b>	600	<b>Power consumption of the zone 2 [kW]</b>	5
<b>Net Height [mm]</b>	422	<b>Power consumption of the zone 3 [kW]</b>	5
<b>Net Weight [kg]</b>	40.00	<b>Power consumption of the zone 4 [kW]</b>	5
<b>Power electric [kW]</b>	20.000	<b>Ceramic glass dimensions [mm x mm]</b>	750 x 570
<b>Loading</b>	400 V / 3N - 50 Hz		

# Technical data sheet

Technical drawing

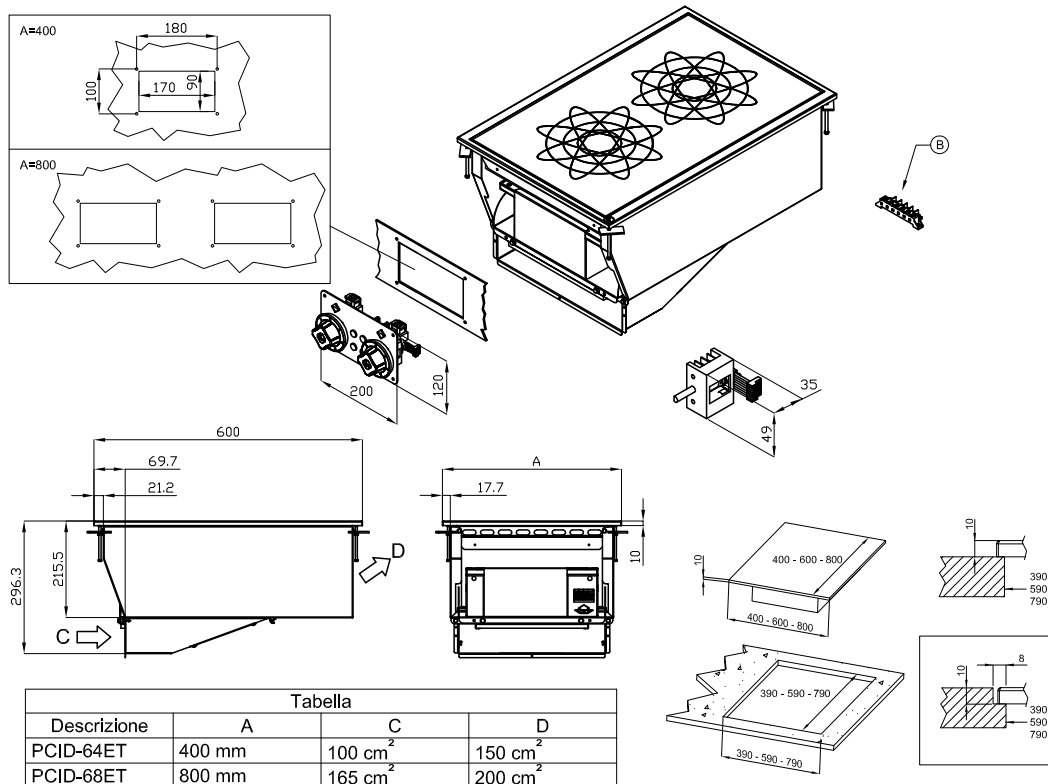


## Cooking range induction drop-in electric 4x drop-in plate 400 V

Model

SAP Code

00007450



A	Data plate		B	Electrical connection	
---	------------	--	---	-----------------------	--

# Technical data sheet

## Product benefits



### Cooking range induction drop-in electric 4x drop-in plate 400 V

<b>Model</b>	<b>SAP Code</b>	00007450
--------------	-----------------	----------

1

#### Induction surface

fastest heating of the cooking zone  
precise heating only at the place where the container is placed

- time-saving for food preparation
- no reheating and long cooking times

2

#### Degree of protection of the control elements IPX5

maintenance-free system  
resistance to splash water  
long life

- savings on service interventions
- easy cleaning and maintenance of equipment

3

#### All-stainless design

the material does not cut  
wear resistance of the material  
long life

- savings on service interventions
- easy cleaning and maintenance of equipment

4

#### Hygienic moldings of the top plate

absence of sharp corners and edges (potential places where dirt could stick)  
smooth transitions

- easy quick cleaning

5

#### Variability

the possibility of attaching to a fixed plate as part of a monoblock  
the possibility of creating one module  
long life

- cost saving
- space saving
- long service life

# Technical data sheet

Technical parameters



## Cooking range induction drop-in electric 4x drop-in plate 400 V

**Model**

**SAP Code**

00007450

**1. SAP Code:**

00007450

**2. Net Width [mm]:**

800

**3. Net Depth [mm]:**

600

**4. Net Height [mm]:**

422

**5. Net Weight [kg]:**

40.00

**6. Gross Width [mm]:**

1080

**7. Gross depth [mm]:**

630

**8. Gross Height [mm]:**

470

**9. Gross Weight [kg]:**

45.00

**10. Device type:**

Electric unit

**11. Construction type of device:**

Drop-in

**12. Power electric [kW]:**

20.000

**13. Loading:**

400 V / 3N - 50 Hz

**14. Protection of controls:**

IPX5

**15. Material:**

Stainless steel

**16. Worktop type:**

Molded - comfortable cleaning maintenance

**17. Worktop material:**

AISI 304

**18. Worktop Thickness [mm]:**

2.00

**19. Number of zones:**

4

**20. Power consumption of the zone 1 [kW]:**

5

**21. Power consumption of the zone 2 [kW]:**

5

**22. Power consumption of the zone 3 [kW]:**

5

**23. Power consumption of the zone 4 [kW]:**

5

**24. Power control type:**

knob control

**25. Number of power control stages:**

6

**26. Service accessibility:**

From the front by removing the front panel and waste fluid containers

**27. Number of burners/hot plates:**

4

**28. Type of electric cooking zones:**

Induction

# Technical data sheet

Technical parameters



Cooking range induction drop-in electric 4x drop-in plate 400 V

Model

SAP Code

00007450

## 29. Ceramic glass dimensions [mm x mm]:

750 x 570